



# Model 04227

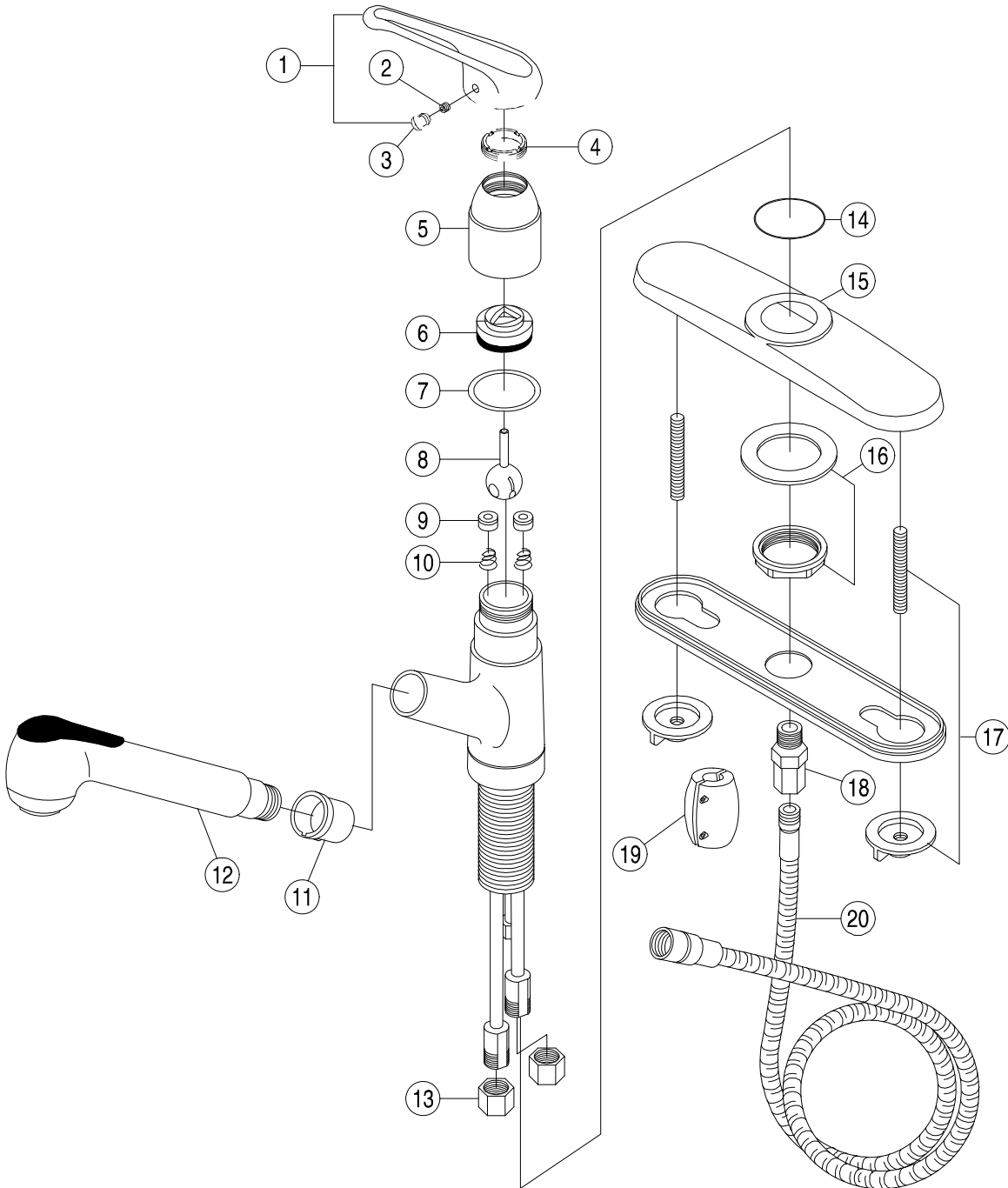
Single Handle Pull-Out Spray Kitchen Faucet  
Chrome Plated Finish  
White Spray Head  
1/2" IPS Connection

# Bayview™



Model 04227

Refer to Premier Faucet Parts List Sheet for part numbers and ordering information.





# Model 04227

Single Handle Pull-Out Spray Kitchen Faucet  
Chrome Plated Finish  
White Spray Head  
1/2" IPS Connection

# Bayview™



Model 04227

*Refer to Premier Faucet Parts Schematic Sheet for parts diagram.*

INDEX	DESCRIPTION	MATERIAL	QTY	PART NO
1	HANDLE ASSEMBLY	ZINC	1	994130
2	HANDLE SCREW	STAINLESS STEEL	1	994186
3	INDEX PLUG	PLASTIC	1	994202
4	TENSION RING	BRASS	1	133593
5	CANOPY	BRASS	1	994325
6	CAM & PACKING	POM / RUBBER	1	133577
7	FRICTION RING	POM	1	994516
8	BALL	STAINLESS STEEL	1	133437
9	SEAT WASHER	RUBBER	2	133398
10	SPRING	STAINLESS STEEL	2	133400
11	SPRAY CRADLE	PLASTIC	1	994293
12	PULLOUT SPRAYER	PLASTIC	1	994283
13	COUPLING NUT	BRASS	2	133838
14	O-RING	RUBBER	1	994533
15	DECK PLATE	ZINC	1	994402
16	LOCK NUT ASSEMBLY	STEEL	1	994279
17	POST & NUT	STEEL	2	994276
18	CHECK VALVE	BRASS	1	994281
19	HOSE WEIGHT	METAL	1	994573
20	PULLOUT HOSE ASSEMBLY	METAL	1	133108

For additional information contact Premier Faucet at 866-745-4010 or visit our website at [www.premierfaucet.com](http://www.premierfaucet.com)