



# Model 120028

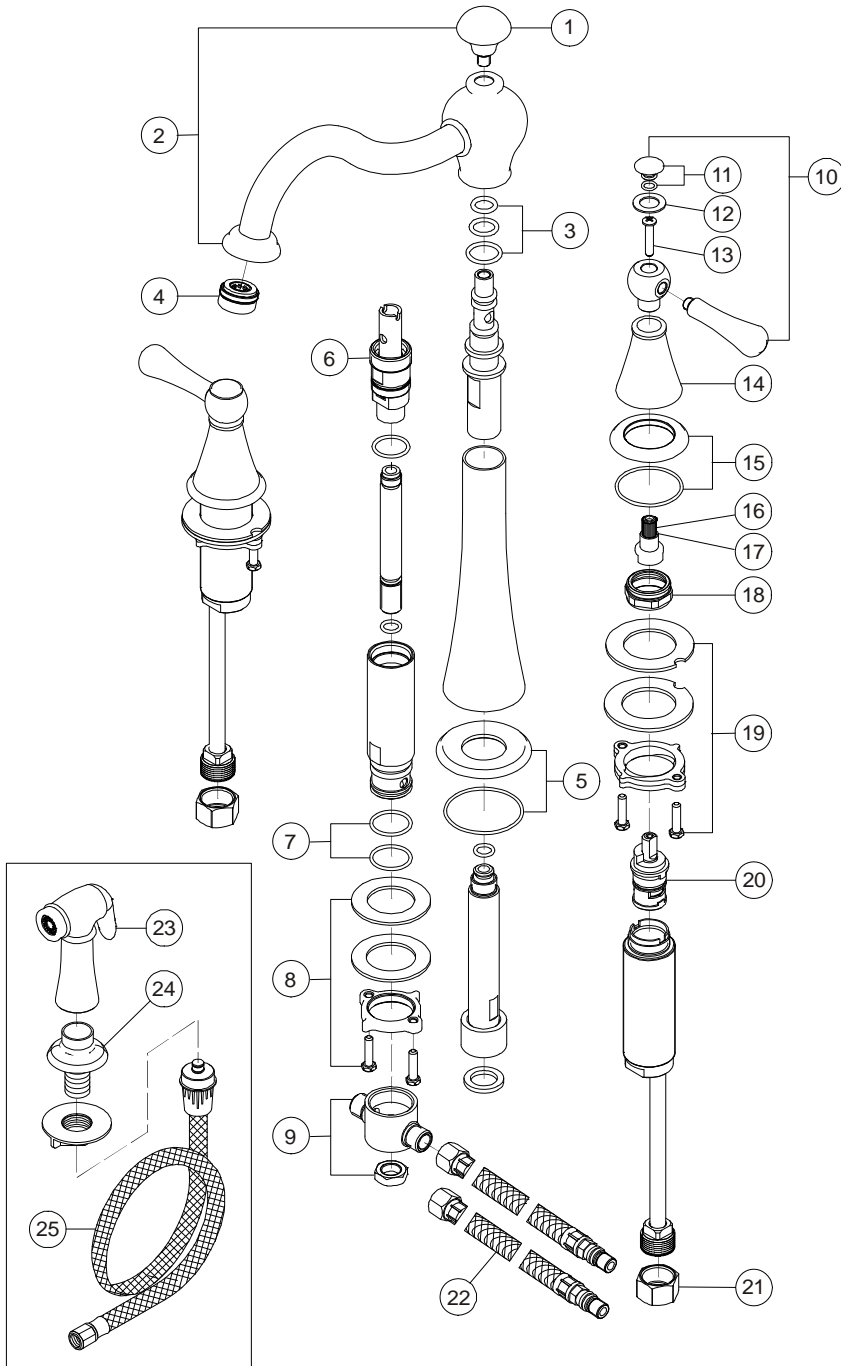
Twin Lever Handle Widespread Kitchen Faucet  
Up To 12" Widespread  
Brushed Nickel Finish  
1/2" IPS Connection

# SONOMA™



Model 120028

*Refer to Premier Faucet Parts List Sheet for part numbers and ordering information.*



For additional information contact Premier Faucet at 866-745-4010 or visit our website at [www.premierfaucet.com](http://www.premierfaucet.com)





### Model 120028

Twin Lever Handle Widespread Kitchen Faucet  
Up To 12" Widespread  
Brushed Nickel Finish  
1/2" IPS Connection

# SONOMA™



*Refer to Premier Faucet Parts Schematic Sheet for parts diagram.*

INDEX	DESCRIPTION	MATERIAL	QTY	PART NO
1	CAP	BRASS	1	994356
2	SPOUT ASSEMBLY	BRASS	1	994489
3	SPOUT GASKET KIT	RUBBER	1	994549
4	AERATOR	BRASS	1	994102
5	BASE ASSEMBLY	BRASS	1	994387
6	SPRAY DIVERter	PLASTIC	1	994644
7	O-RING	RUBBER	2	994536
8	INSTALLATION KIT	BRASS	1	994266
9	TEE BLOCK ASSY	BRASS	1	994590
10	HANDLE ASSEMBLY	BRASS	2	994140
11	SCREW COVER ASSY H & C SET	BRASS	2	994242
12	INDEX RINGS	PLASTIC	2	994206
13	HANDLE SCREW	STEEL	2	994195
14	CANOPY	BRASS	2	994331
15	DECK ESCUTCHEON ASSY	BRASS	2	994397
16	HANDLE ADAPTER HOT	METAL	1	994119
17	HANDLE ADAPTER COLD	METAL	1	994118
18	BONNET NUT	BRASS	2	994320
19	INSTALLATION KIT	BRASS	2	994263
20	CARTRIDGE - HOT & COLD	CERAMIC	2	994110
21	COUPLING NUT	BRASS	2	133838
22	HOSE	PLASTIC	2	994560
23	SPRAYER	BRASS	1	994298
24	SPRAY CRADLE	PLASTIC	1	994289
25	SPRAY HOSE	PVC	1	153185

