



Model 120142

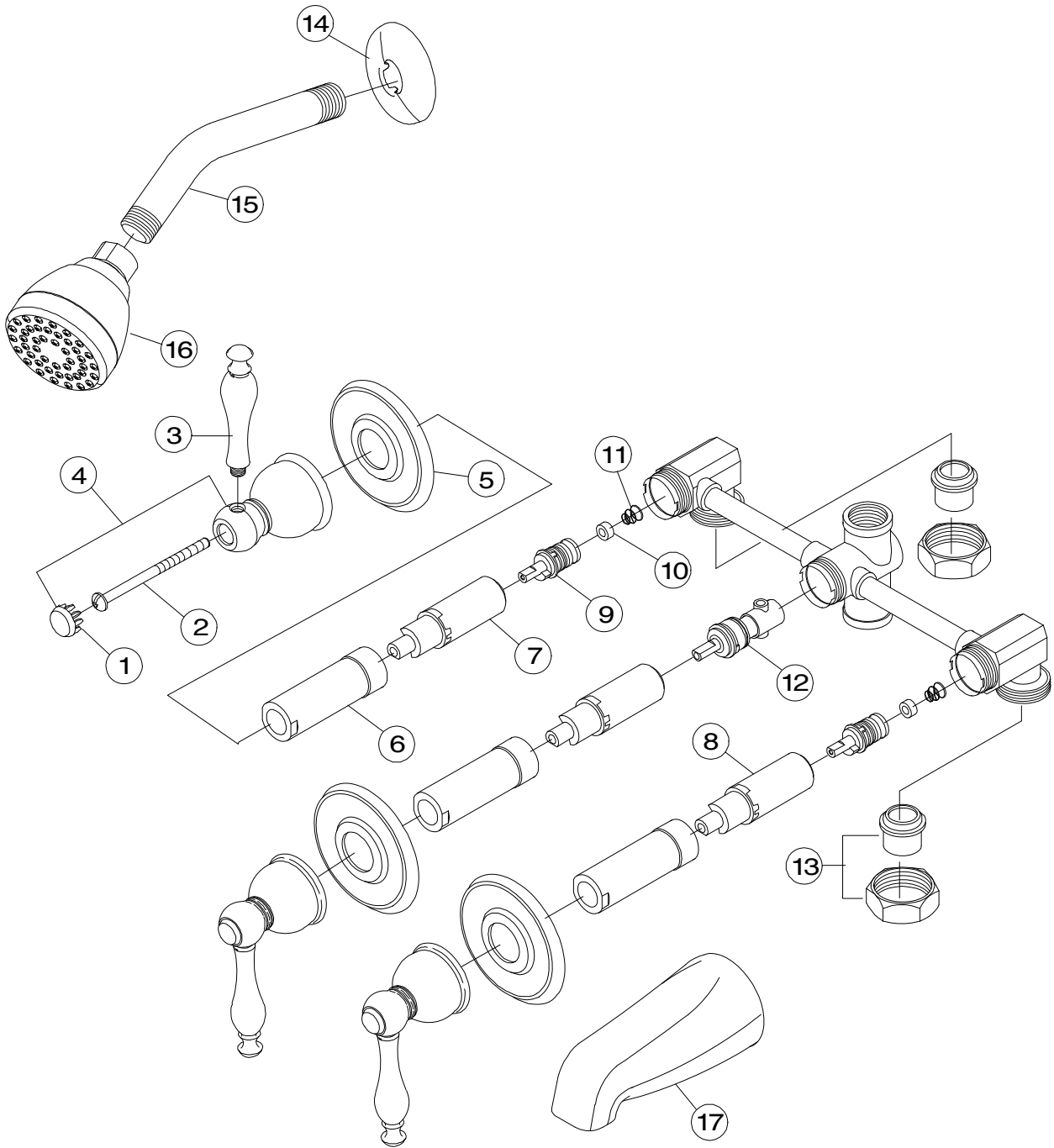
Three Lever Handle Tub & Shower Set
Brushed Nickel Finish
1/2" IPS Connection

Wellington™



Model 120142

Refer to Premier Faucet Parts List Sheet for part numbers and ordering information.



For additional information contact Premier Faucet at 866-745-4010 or visit our website at www.premierfaucet.com





Model 120142

Three Lever Handle Tub & Shower Set
Brushed Nickel Finish
1/2" IPS Connection

Wellington™



Model 120142

Refer to Premier Faucet Parts Schematic Sheet for parts diagram.

INDEX	DESCRIPTION	MATERIAL	QTY	PART NO
1	SCREW COVER H, C & D SET	BRASS	1	994253
2	HANDLE SCREW	BRASS	3	994198
3	PORCELAIN INSERT	PROCELAIN	3	994225
4	METAL HANDLE ASSY	BRASS	3	994214
5	ESCUTCHEON	BRASS	3	994419
6	ESCUTCHEON TUBE	BRASS	2	994437
7	HANDLE EXTENDER- COLD	PLASTIC	1	994570
8	HANDLE EXTENDER- HOT/ DIV	PLASTIC	2	994571
9	CARTRIDGE - HOT & COLD	PLASTIC	2	163460
10	SEAT WASHER	RUBBER	2	994645
11	SPRING	STAINLESS STEEL	2	133400
12	DIVERter	PLASTIC	1	163295
13	UNION ASSEMBLY	BRASS	2	994625
14	ESCUTCHEON	STAINLESS STEEL	1	994414
15	SHOWER ARM	BRASS	1	994616
16	SHOWER HEAD	ABS	1	994618
17	TUB SPOUT	METAL	1	994309

