



Model 120150

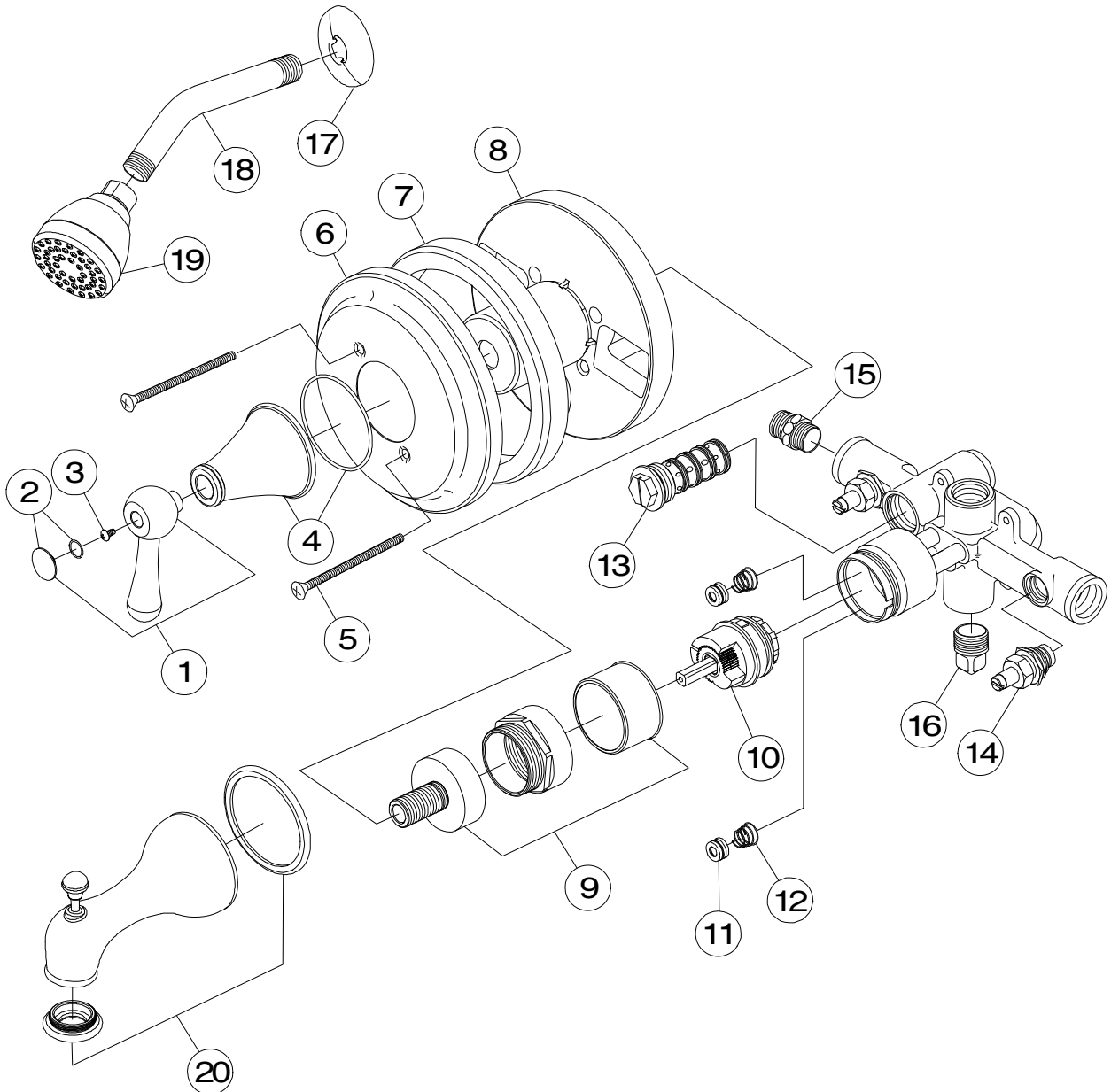
Single Lever Handle Tub & Shower Set
Pressure Balancing
Brushed Nickel Finish
1/2" IPS Connection

SONOMA™



Model 120150

Refer to Premier Faucet Parts List Sheet for part numbers and ordering information.



**Model 120150**

Single Lever Handle Tub & Shower Set
 Pressure Balancing
 Brushed Nickel Finish
 1/2" IPS Connection

SONOMA™



Model 120150

Refer to Premier Faucet Parts Schematic Sheet for parts diagram.

INDEX	DESCRIPTION	MATERIAL	QTY	PART NO
1	HANDLE ASSEMBLY	BRASS	1	994155
2	SCREW COVER KIT	BRASS	1	994251
3	HANDLE SCREW	STAINLESS STEEL	1	994146
4	CANOPY KIT	BRASS	1	994344
5	PLATE SCREW	BRASS	2	994443
6	ESCUTCHEON	BRASS	1	994421
7	GASKET	RUBBER	1	994525
8	ROUGH-IN PLATE	PLASTIC	1	994580
9	SPINDLE & BARREL ASSY	BRASS	1	994446
10	CARTRIDGE	PLASTIC	1	994112
11	SEAT WASHER	RUBBER	2	133398
12	SPRING	STAINLESS STEEL	2	133400
13	BALANCER ASSEMBLY	STAINLESS STEEL	1	133139
14	INTEGRAL STOP	BRASS	2	994554
15	SWEAT ADAPTER	BRASS	4	994587
16	IPS PLUG	BRASS	1	109-8
17	ESCUTCHEON	STAINLESS STEEL	1	994414
18	SHOWER ARM	BRASS	1	994616
19	SHOWER HEAD	PLASTIC	1	994618
20	TUB SPOUT ASSEMBLY	METAL	1	994312

