



# Model 120170

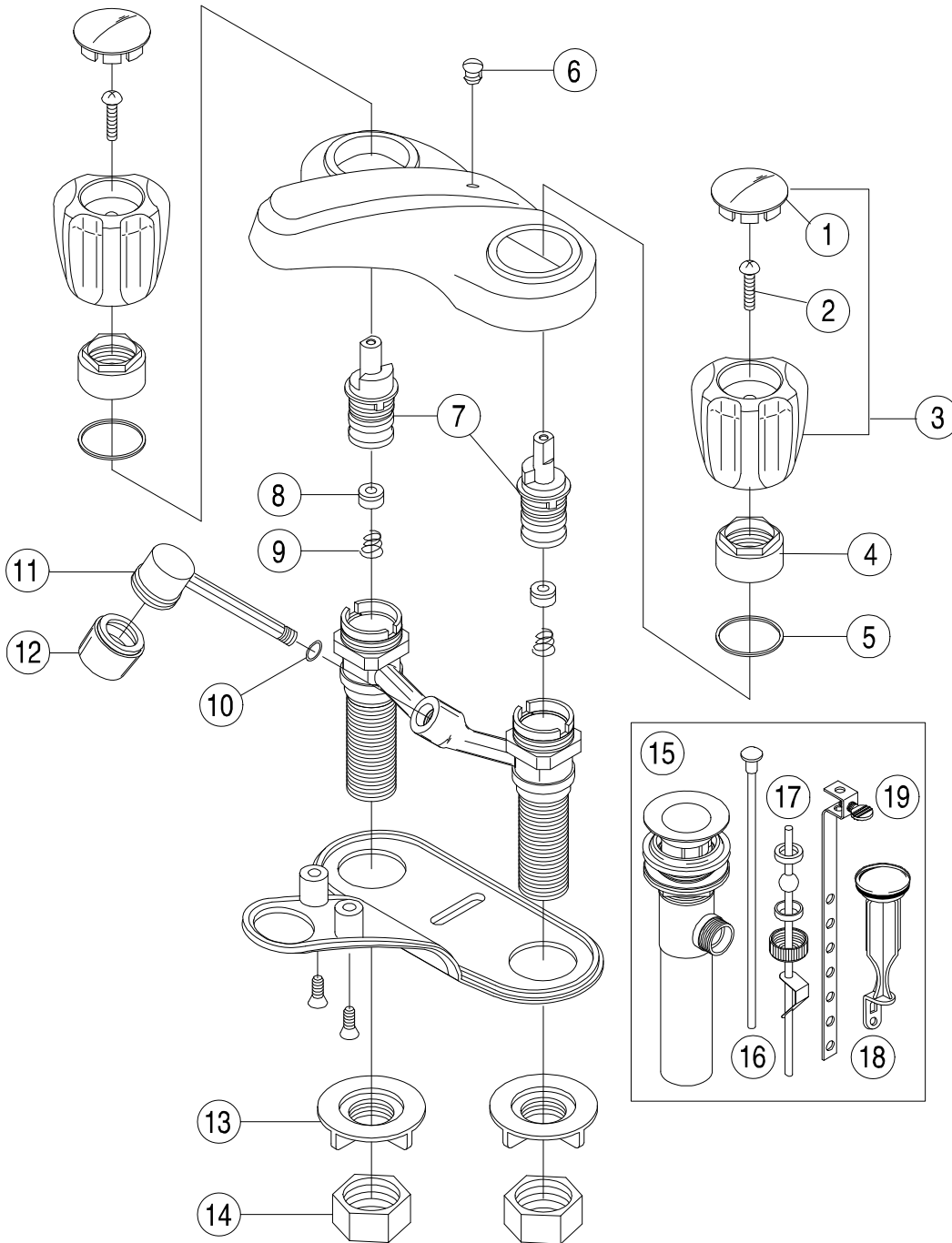
Twin Acrylic Handle Lavatory Faucet  
Chrome Plated Finish  
With Brass Pop-Up  
1/2" IPS Connection

# Bayview™



Model 120170

Refer to Premier Faucet Parts List Sheet for part numbers and ordering information.



For additional information contact Premier Faucet at 866-745-4010 or visit our website at [www.premierfaucet.com](http://www.premierfaucet.com)



### Model 120170

Twin Acrylic Handle Lavatory Faucet  
Chrome Plated Finish  
With Brass Pop-Up  
1/2" IPS Connection

# Bayview™



Model 120170

*Refer to Premier Faucet Parts Schematic Sheet for parts diagram.*

INDEX	DESCRIPTION	MATERIAL	QTY	PART NO
1	INDEX BUTTON	ACRYLIC	2	114093
2	HANDLE SCREW	CP BRASS	2	994306
3	HANDLE ASSEMBLY	ACRYLIC	2	012044
4	BONNET NUT	ZINC	2	994316
5	CAP GASKET	PE	2	994515
6	LIFT ROD PLUG	PLASTIC	1	994610
7	CARTRIDGE - HOT & COLD	PLASTIC	2	163420
8	SEAT WASHER	RUBBER	2	133398
9	SPRING	STAINLESS STEEL	2	133400
10	SPOUT O-RING	RUBBER	1	994551
11	SPOUT RISER	BRASS	1	994508
12	AERATOR	BRASS	1	144211
13	LOCK NUT	ABS	2	133836
14	COUPLING NUT	BRASS	2	133838
15	POP-UP ASSEMBLY	BRASS	1	124100
16	LIFT ROD	METAL	1	994599
17	BALL ROD ASSY	METAL/PLASTIC	1	133833
18	STOPPER	PLASTIC	1	015084
19	LIFT STRAP	METAL	1	133833