



# Model 120178

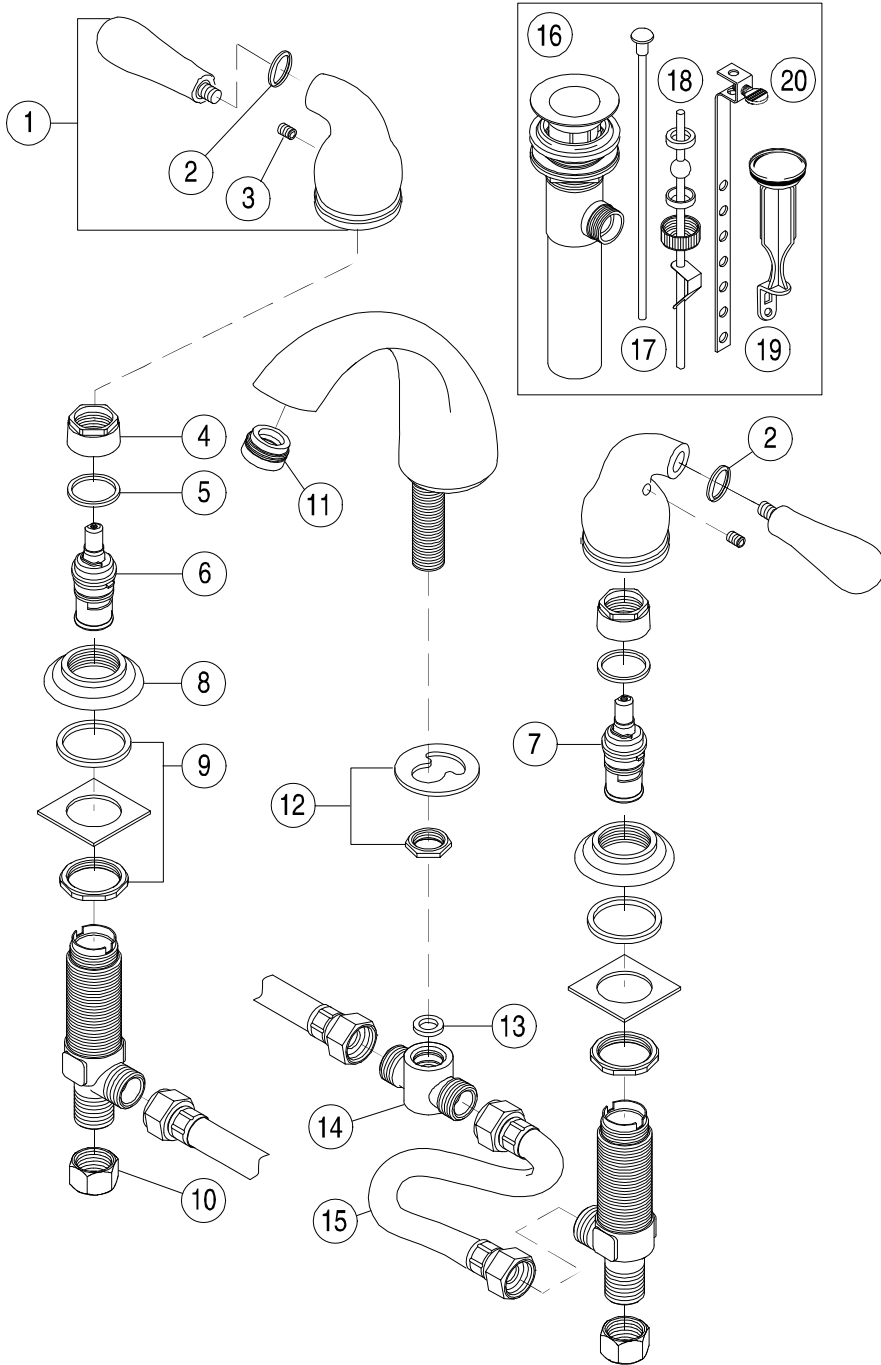
Twin Lever Handle Widespread Lavatory Faucet  
Chrome Plated Finish With Polished Brass Accents  
With Brass Pop-Up  
1/2" IPS Connection

# Sanibel™



Model 120178

**Refer to Premier Faucet Parts List Sheet for part numbers and ordering information.**



For additional information contact Premier Faucet at 866-745-4010 or visit our website at [www.premierfaucet.com](http://www.premierfaucet.com)

**Model 120178**

Twin Lever Handle Widespread Lavatory Faucet  
 Chrome Plated Finish With Polished Brass Accents  
 With Brass Pop-Up  
 1/2" IPS Connection

# Sanibel™



Model 120178

*Refer to Premier Faucet Parts Schematic Sheet for parts diagram.*

INDEX	DESCRIPTION	MATERIAL	QTY	PART NO
1	HANDLE ASSEMBLY	BRASS	2	994166
2	INDEX RINGS	POM	2	994208
3	HANDLE SCREW	STAINLESS STEEL	2	994197
4	BONNET NUT	ZINC	2	994316
5	CAP GASKET	POM	2	994515
6	CARTRIDGE - HOT	CERAMIC	1	133508
7	CARTRIDGE - COLD	CERAMIC	1	133509
8	DECK ESCUTCHEON	BRASS	2	994392
9	INSTALLATION KIT	BRASS	2	994273
10	COUPLING NUT	BRASS	2	133838
11	AERATOR	BRASS	1	144208
12	INSTALLATION KIT	BRASS	1	994272
13	GASKET	RUBBER	1	994530
14	TEE CONNECTOR	BRASS	1	994591
15	HOSE	NYLON BRAID	2	994564
16	POP-UP ASSEMBLY	BRASS	1	124100
17	LIFT ROD	METAL	1	994609
18	BALL ROD ASSY	METAL/PLASTIC	1	133833
19	STOPPER	PLASTIC	1	015084
20	LIFT STRAP	METAL	1	133833