



Model 120179

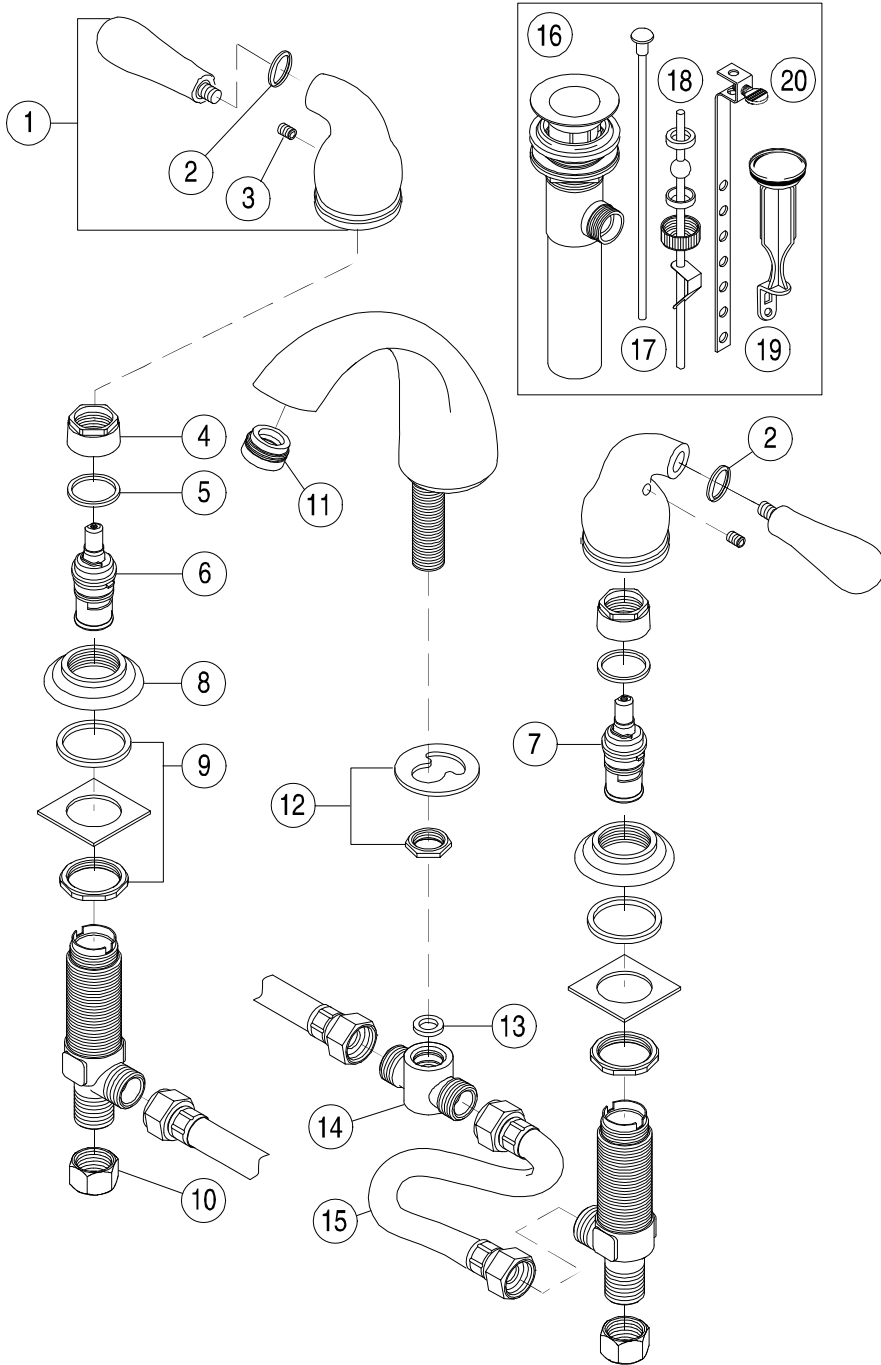
Twin Lever Handle Widespread Lavatory Faucet
Brushed Nickel Finish
With Brass Pop-Up
1/2" IPS Connection

Sanibel™



Model 120179

Refer to Premier Faucet Parts List Sheet for part numbers and ordering information.



For additional information contact Premier Faucet at 866-745-4010 or visit our website at www.premierfaucet.com

**Model 120179**

Twin Lever Handle Widespread Lavatory Faucet
 Brushed Nickel Finish
 With Brass Pop-Up
 1/2" IPS Connection

Sanibel™



Model 120179

Refer to Premier Faucet Parts Schematic Sheet for parts diagram.

INDEX	DESCRIPTION	MATERIAL	QTY	PART NO
1	HANDLE ASSEMBLY	BRASS	2	994167
2	INDEX RINGS	POM	2	994208
3	HANDLE SCREW	STAINLESS STEEL	2	994197
4	BONNET NUT	ZINC	2	994316
5	CAP GASKET	POM	2	994515
6	CARTRIDGE - HOT	CERAMIC	1	133508
7	CARTRIDGE - COLD	CERAMIC	1	133509
8	DECK ESCUTCHEON	BRASS	2	994393
9	INSTALLATION KIT	BRASS	2	994273
10	COUPLING NUT	BRASS	2	133838
11	AERATOR	BRASS	1	994102
12	INSTALLATION KIT	BRASS	1	994272
13	GASKET	RUBBER	1	994530
14	TEE CONNECTOR	BRASS	1	994591
15	HOSE	NYLON BRAID	2	994564
16	POP-UP ASSEMBLY	BRASS	1	124011
17	LIFT ROD	METAL	1	994608
18	BALL ROD ASSY	METAL/PLASTIC	1	133833
19	STOPPER	PLASTIC	1	994612
20	LIFT STRAP	METAL	1	133833