



Model 120181

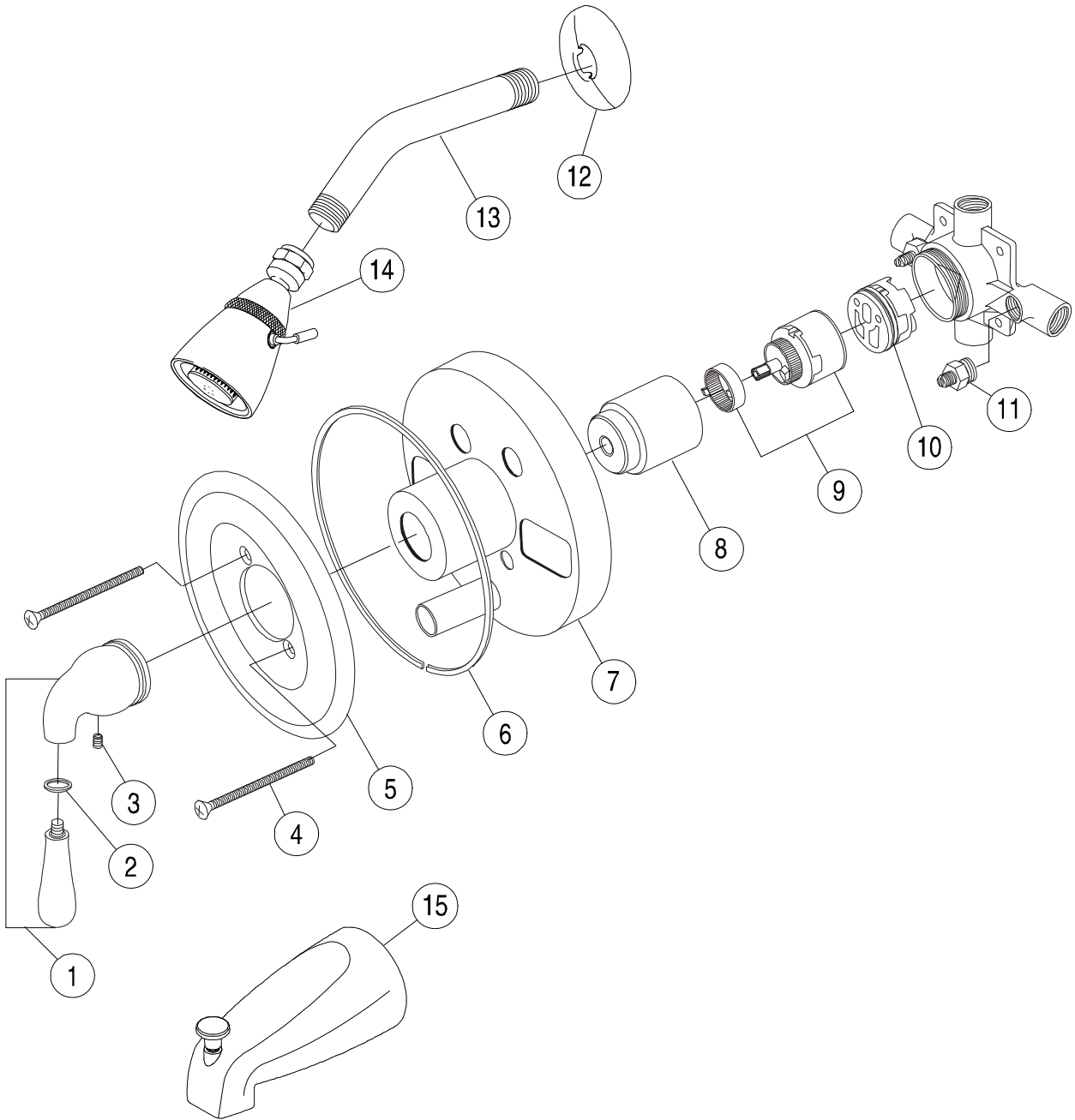
Single Lever Handle Tub and Shower Set
Pressure Balanced
Chrome Plated Finish
1/2" IPS Connection

Sanibel™



Model 120181

Refer to Premier Faucet Parts List Sheet for part numbers and ordering information.



For additional information contact Premier Faucet at 866-745-4010 or visit our website at www.premierfaucet.com



Model 120181

Single Lever Handle Tub and Shower Set
Pressure Balanced
Chrome Plated Finish
1/2" IPS Connection

Sanibel™



Model 120181

Refer to Premier Faucet Parts Schematic Sheet for parts diagram.

INDEX	DESCRIPTION	MATERIAL	QTY	PART NO
1	HANDLE ASSEMBLY	BRASS	1	994170
2	INDEX RINGS	POM	1	994208
3	HANDLE SCREW	STAINLESS STEEL	1	994197
4	PLATE SCREW	BRASS	2	994442
5	ESCUTCHEON	BRASS	1	994423
6	SLIP GASKET	PLASTIC	1	994546
7	ROUGH-IN PLATE	PLASTIC	1	994581
8	BARREL SLEEVE	BRASS	1	994378
9	CARTRIDGE WITH STOP	CERAMIC	1	994113
10	BALANCER ASSEMBLY	PLASTIC	1	133505
11	INTEGRAL STOP	BRASS	1	994555
12	ESCUTCHEON	STAINLESS STEEL	1	ESC1
13	SHOWER ARM	BRASS	1	194013
14	SHOWER HEAD	BRASS	1	82212
15	TUB SPOUT	METAL	1	101003