



Model 120192

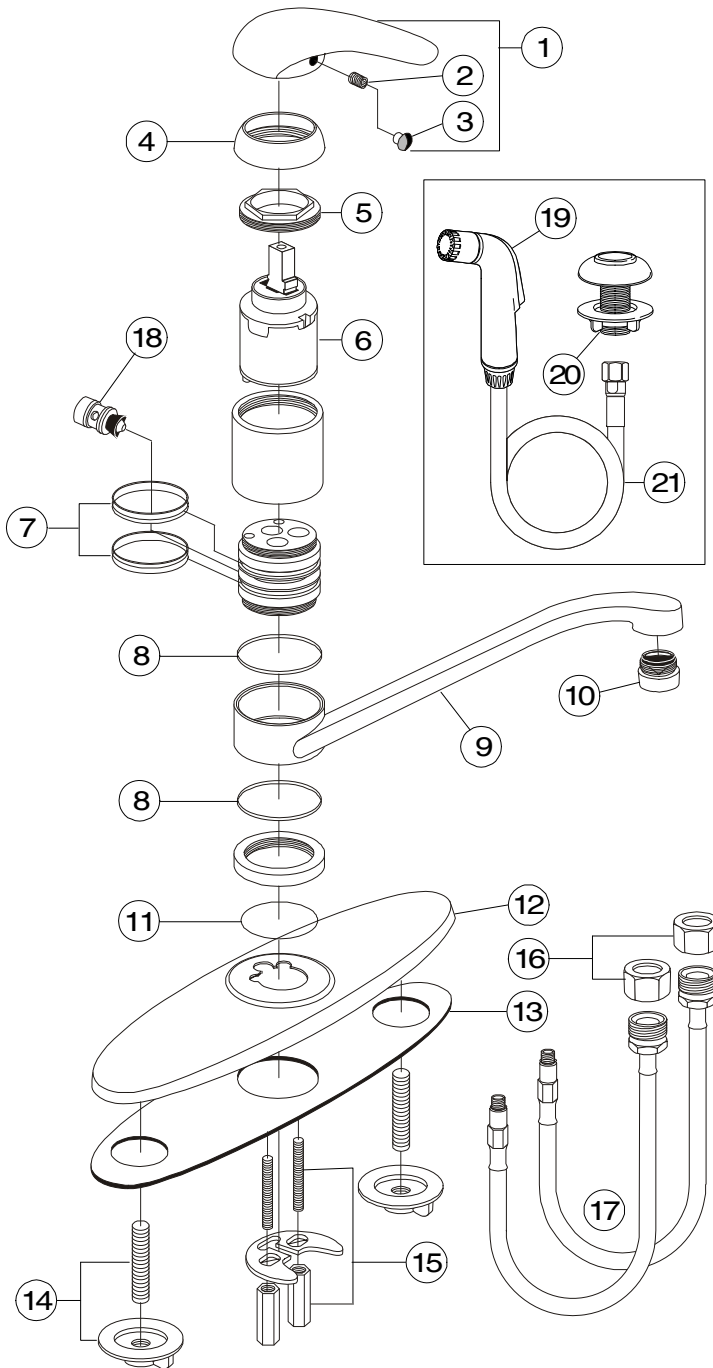
Single Lever Handle Kitchen Faucet
Brushed Nickel Finish
With Spray
1/2" IPS Connection

Westport™



Model 120192

Refer to Premier Faucet Parts List Sheet for part numbers and ordering information.



For additional information contact Premier Faucet at 866-745-4010 or visit our website at www.premierfaucet.com

**Model 120192**

Single Lever Handle Kitchen Faucet
 Brushed Nickel Finish
 With Spray
 1/2" IPS Connection

Westport™

Model 120192

Refer to Premier Faucet Parts Schematic Sheet for parts diagram.

| INDEX | DESCRIPTION | MATERIAL | QTY | PART NO |
|-------|------------------|-----------------|-----|---------|
| 1 | HANDLE ASSEMBLY | METAL | 1 | 994168 |
| 2 | HANDLE SCREW | STAINLESS STEEL | 1 | 994197 |
| 3 | INDEX PLUG | POM | 1 | 994202 |
| 4 | CAP | ZINC | 1 | 994342 |
| 5 | BONNET NUT | BRASS | 1 | 994324 |
| 6 | CARTRIDGE | CERAMIC | 1 | 133504 |
| 7 | GASKET | RUBBER | 2 | 994531 |
| 8 | FRICTION RING | POM | 2 | 994519 |
| 9 | SPOUT | BRASS | 1 | 994482 |
| 10 | AERATOR | BRASS | 1 | 994102 |
| 11 | O-RING | RUBBER | 1 | 994542 |
| 12 | PLATE | ZINC | 1 | 994439 |
| 13 | DECK GASKET | PLASTIC | 1 | 994364 |
| 14 | POST & NUT | STEEL/PLASTIC | 2 | 994276 |
| 15 | INSTALLATION KIT | BRASS | 1 | 994277 |
| 16 | COUPLING NUT | BRASS | 2 | 133838 |
| 17 | HOSE | STAINLESS STEEL | 2 | 994566 |
| 18 | DIVERTER | PLASTIC | 1 | 133100 |
| 19 | SPRAYER | PLASTIC | 1 | 153180 |
| 20 | SPRAY CRADLE | PLASTIC | 1 | 994291 |
| 21 | SPRAY HOSE | PVC | 1 | 153185 |