



# Model 120193

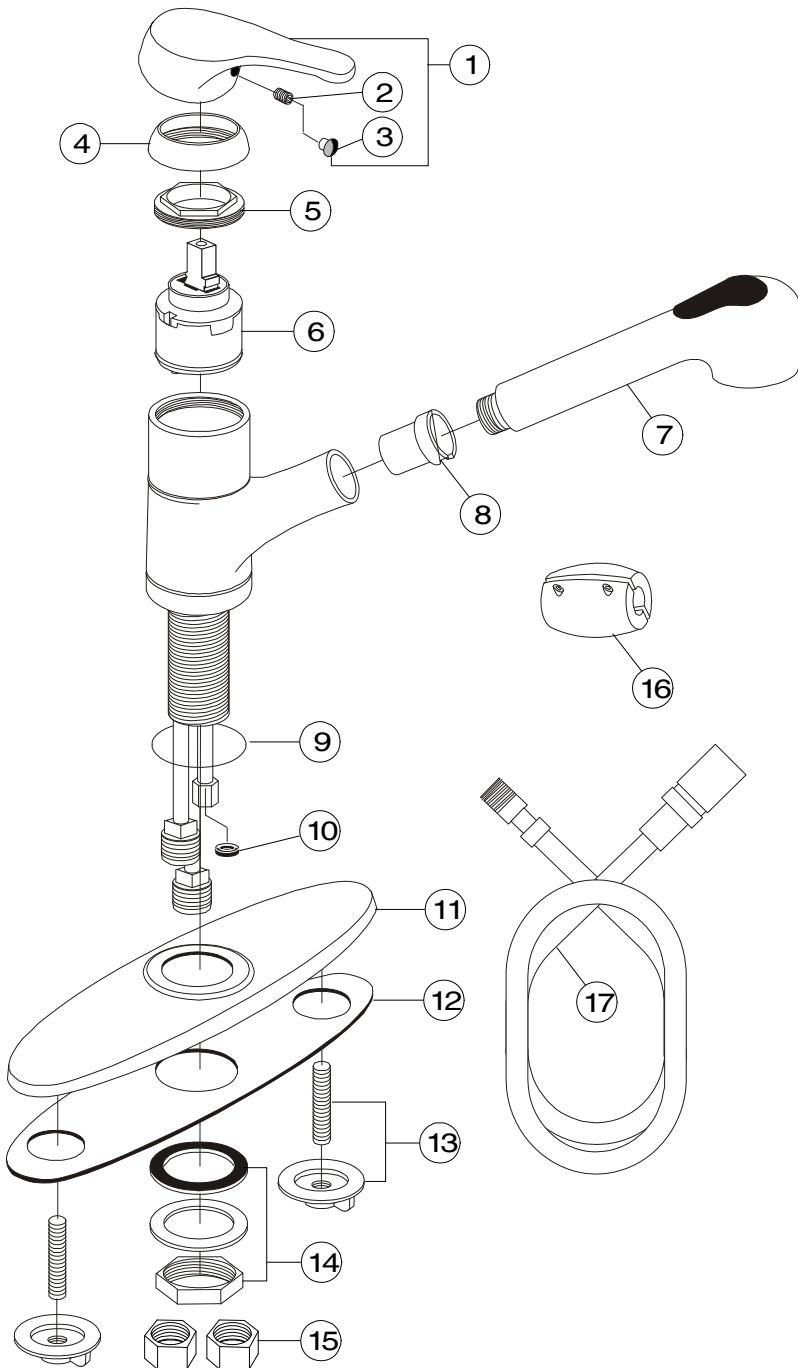
Single Lever Handle Pull-Out Kitchen Faucet  
Brushed Nickel Finish  
1/2" IPS Connection

# Westport™



Model 120193

Refer to Premier Faucet Parts List Sheet for part numbers and ordering information.



For additional information contact Premier Faucet at 866-745-4010 or visit our website at [www.premierfaucet.com](http://www.premierfaucet.com)



# Model 120193

Single Lever Handle Pull-Out Kitchen Faucet  
Brushed Nickel Finish  
1/2" IPS Connection

# Westport™



Model 120193

*Refer to Premier Faucet Parts Schematic Sheet for parts diagram.*

INDEX	DESCRIPTION	MATERIAL	QTY	PART NO
1	HANDLE ASSEMBLY	METAL	1	994177
2	HANDLE SCREW	STAINLESS STEEL	1	994197
3	INDEX PLUG	POM	1	994202
4	CAP	PLASTIC	1	994342
5	BONNET NUT	BRASS	1	994324
6	CARTRIDGE	CERAMIC	1	133506
7	PULLOUT SPRAYER	PLASTIC	1	994286
8	SPRAY CRADLE	PLASTIC	1	994293
9	O-RING	RUBBER	1	994543
10	WASHER	RUBBER	1	994552
11	PLATE	ZINC	1	994441
12	DECK GASKET	PLASTIC	1	994364
13	POST & NUT	STEEL/PLASTIC	2	994276
14	INSTALLATION KIT	BRASS	1	994278
15	COUPLING NUT	BRASS	2	133838
16	HOSE WEIGHT	LEAD	1	994573
17	PULLOUT HOSE ASSEMBLY	BRASS/PVC	1	133108

For additional information contact Premier Faucet at 866-745-4010 or visit our website at [www.premierfaucet.com](http://www.premierfaucet.com)