



Description

- Single lever handle pull-out spray kitchen faucet
- Trouble-free ceramic cartridge
- Single hole or three hole sink mounting
- Brushed nickel finish
- All brass construction
- Includes optional deck plate for three hole mount
- Includes color matched pull-out spray
- 18" SS braided supply connectors with 1/2" MIP connections

Performance

- Designed to provide 2.2 GPM at 60 PSI

Compliance

- Designed to comply with requirements of ASME A112.18.1
- Meets low lead requirements of NSF Standard- 61, Section- 9
- Meets low lead requirements of California Proposition- 65
- Complies with the requirements of the UPC (Uniform Plumbing Code)
- Complies with ADA (American With Disabilities Act)
- Meets or exceeds CSA B125

Listings

- IAPMO (International Association of Plumbing & Mechanical Officials)
- cUPC (Uniform Plumbing Code & Canadian Uniform Plumbing Code)
- CSA (Canadian Standards Association)

Warranty

- Limited Lifetime Warranty  
Refer to Premier Faucet warranty program for further details and restrictions.

Westport™

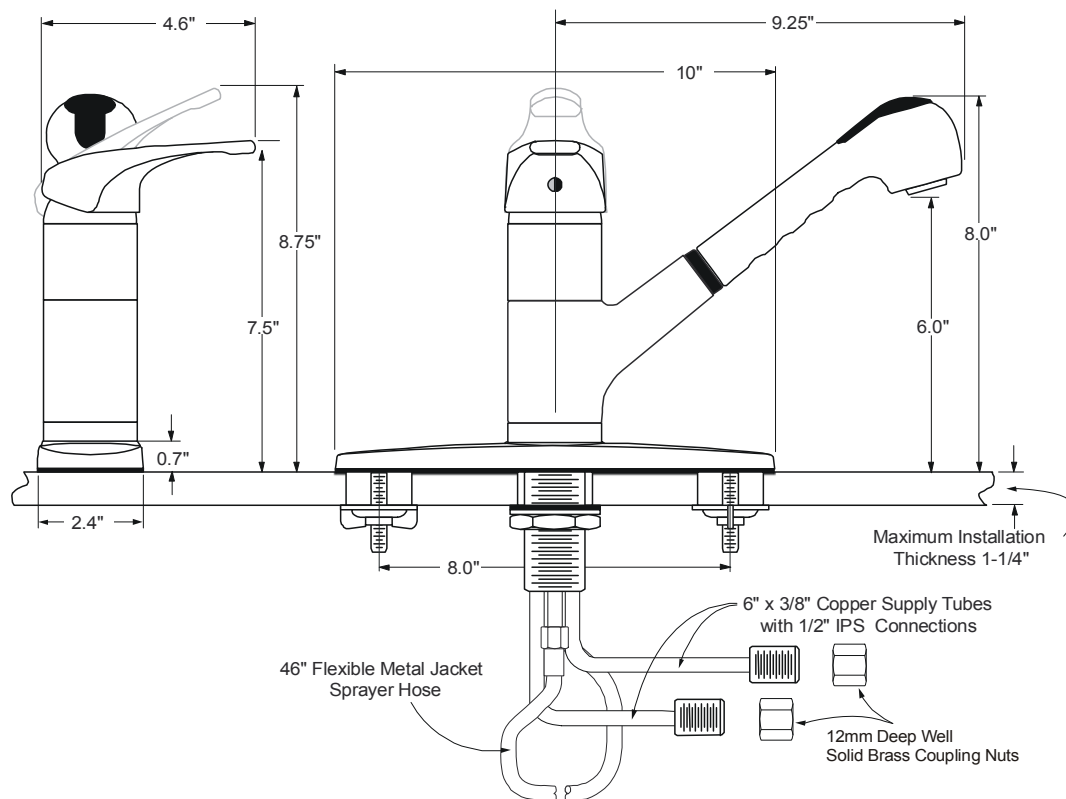


Model 120193

Single Lever Handle Pull-Out Kitchen Faucet

Brushed Nickel Finish

1/2" IPS Connection



For additional information contact Premier Faucet at 866-745-4010 or visit our website at [www.premierfaucet.com](http://www.premierfaucet.com)