



Model 120194

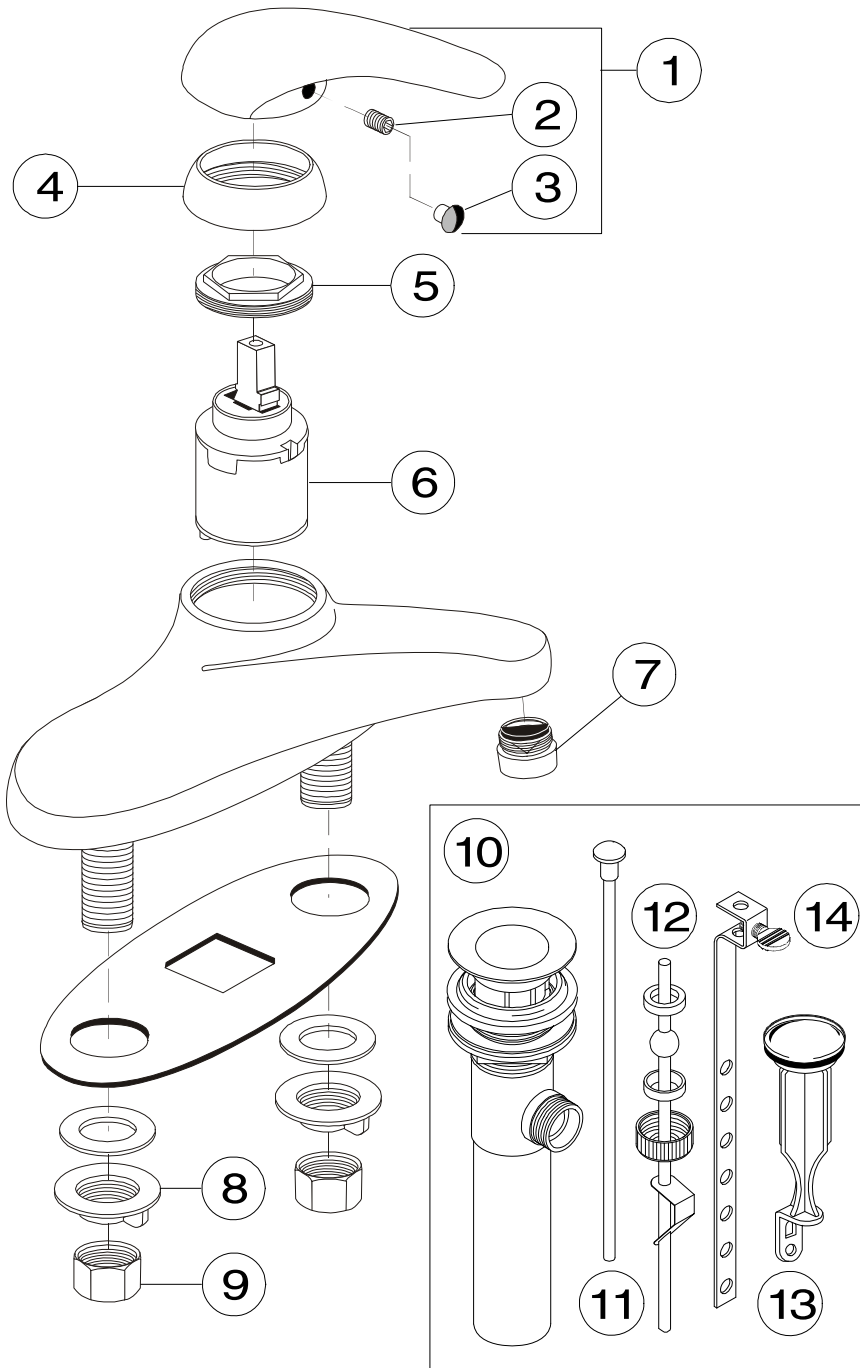
Single Lever Handle Lavatory Faucet
Brushed Nickel Finish
With Brass Pop-Up
1/2" IPS Connection

Westport™



Model 120194

Refer to Premier Faucet Parts List Sheet for part numbers and ordering information.



For additional information contact Premier Faucet at 866-745-4010 or visit our website at www.premierfaucet.com



Model 120194

Single Lever Handle Lavatory Faucet
Brushed Nickel Finish
With Brass Pop-Up
1/2" IPS Connection

Westport™



Model 120194

Refer to Premier Faucet Parts Schematic Sheet for parts diagram.

INDEX	DESCRIPTION	MATERIAL	QTY	PART NO
1	HANDLE ASSEMBLY	METAL	1	994168
2	HANDLE SCREW	STAINLESS STEEL	1	994197
3	INDEX PLUG	POM	1	994202
4	CAP	PLASTIC	1	994342
5	BONNET NUT	BRASS	1	994324
6	CARTRIDGE	CERAMIC	1	133503
7	AERATOR	BRASS	1	994102
8	LOCK NUT	PLASTIC	2	133836
9	COUPLING NUT	BRASS	2	133838
10	POP-UP ASSEMBLY	BRASS	1	124011
11	LIFT ROD	METAL	1	994606
12	BALL ROD ASSY	METAL/PLASTIC	1	133833
13	STOPPER	PLASTIC	1	994612
14	LIFT STRAP	METAL	1	133833