



Description

- European style single lever handle tub & shower set
- Trouble-free metering type ceramic cartridge
- Twin integral, back-check stops for improved serviceability
- 40 mm P-Type pressure balancing mechanism
- Cast brass valve body
- Brushed nickel finish
- Adjustable solid brass shower head in color matched finish
- Includes color matched 1/2" CTS slip-on diverter spout
- 1/2" FIP connections

Performance

- Designed to provide 2.5 GPM at 80 PSI shower head performance
- Designed to provide 2.4 GPM at 20 PSI tub filler performance

Compliance

- Designed to comply with requirements of ASME A112.18.1
- Meets or exceeds ASSE 1016 performance standards
- Complies with ADA (American With Disabilities Act)
- Complies with the requirements of the UPC (Uniform Plumbing Code)
- Meets or exceeds CSA B125

Listings

- IAPMO (International Association of Plumbing & Mechanical Officials)
- cUPC (Uniform Plumbing Code & Canadian Uniform Plumbing Code)
- CSA (Canadian Standards Association)
- ASSE (American Society of Sanitary Engineering)

Warranty

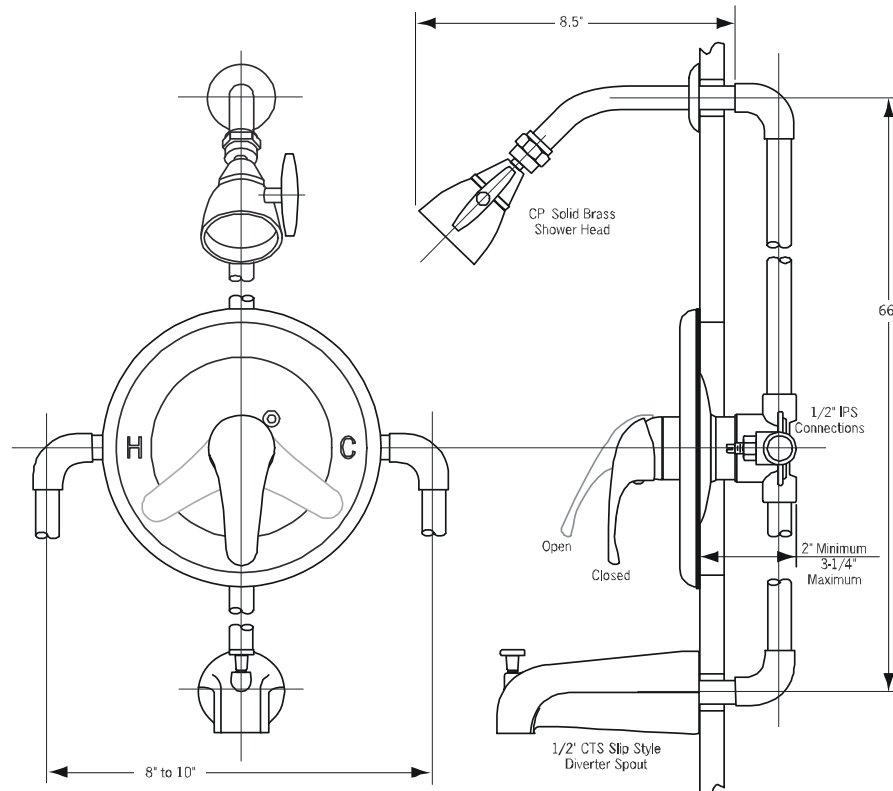
- Limited Lifetime Warranty
Refer to Premier Faucet warranty program for further details and restrictions.

Westport™



Model 120195

Single Lever Handle Tub & Shower Set
Brushed Nickel Finish
Pressure Balancing
1/2" IPS Connection



For additional information contact Premier Faucet at 866-745-4010 or visit our website at www.premierfaucet.com