



Description

- PVD Brushed Nickel
- Single Metal Lever Handle
- Pressure Balanced Valve
- Ceramic Disc Cartridge with Stop Valve
- Wear Resistant Ceramic Disc Technology
- Zinc Spout

Compliance

- Designed to comply with requirements of ASME A112.18.1
- Complies with the requirements of the UPC (Uniform Plumbing Code)
- Complies with ADA (Americans with Disabilities Act)
- Meets or exceeds CSA B125

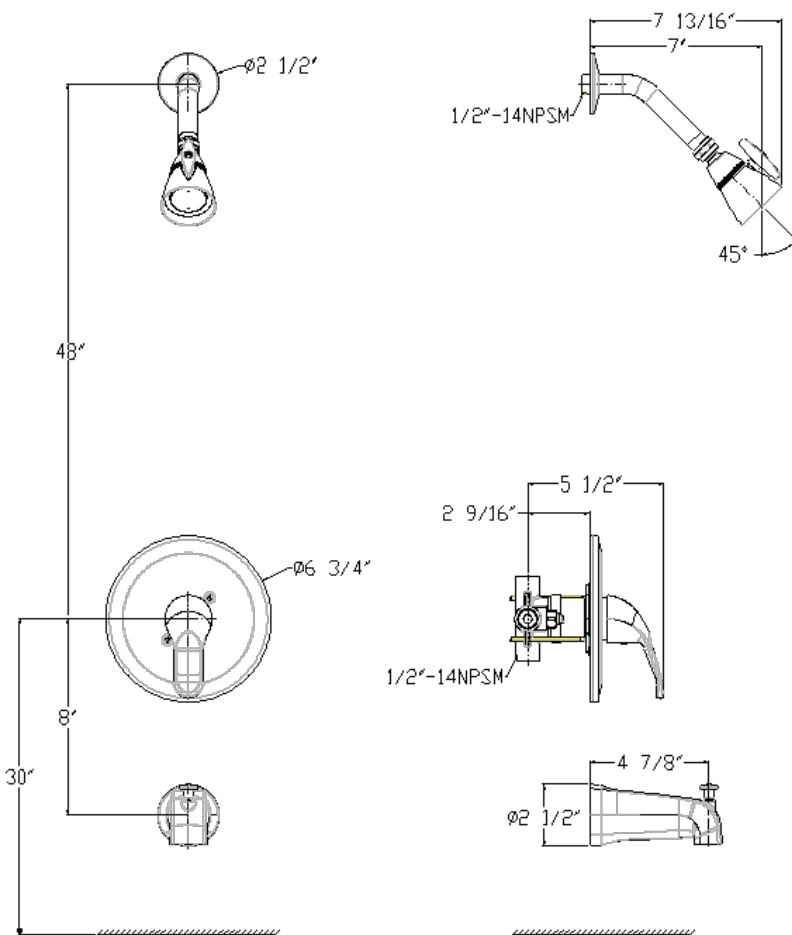
Listings

- IAPMO (International Association of Plumbing & Mechanical Officials)
- cUPC (Uniform Plumbing Code & Canadian Uniform Plumbing Code)

Warranty

- Limited Lifetime Warranty  
Refer to Premier Faucet warranty program for further details and restrictions.

# Charlestown™



## Model 120354

Single Lever Handle Tub & Shower Faucet

PVD Brushed Nickel

Ceramic Cartridge

Metal Escutcheon

Pressure Balancing

For additional information contact Premier Faucet at 866-745-4010 or visit our website at [www.premierfaucet.com](http://www.premierfaucet.com)