



Description

- PVD Brushed Nickel
- Metal Lever Handle
- Pressure Balanced Valve
- Single handle Shower Faucet
- Ceramic Disc Cartridge with Stop Valve
- Brass Shower Head and Arm

Compliance

- Designed to comply with requirements of ASME A112.18.1
- Complies with the requirements of the UPC (Uniform Plumbing Code)
- Complies with ADA (Americans with Disabilities Act)
- Meets or exceeds CSA B125

Listings

- IAPMO (International Association of Plumbing & Mechanical Officials)
- cUPC (Uniform Plumbing Code & Canadian Uniform Plumbing Code)

Warranty

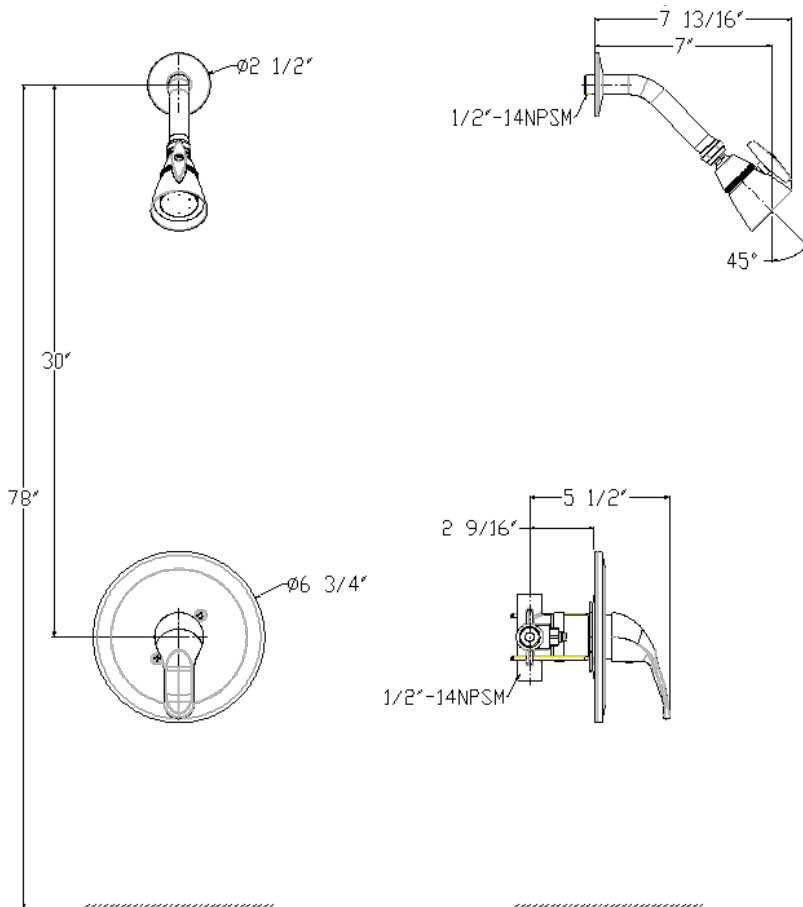
- Limited Lifetime Warranty
Refer to Premier Faucet warranty program for further details and restrictions.

Bayview™



Model 120468

Single Lever Handle Pressure
Balanced Shower Without Spout
PVD Brushed Nickel
Ceramic Cartridge
Metal Escutcheon
Brass Showerhead
With Stop Valve



For additional information contact Premier Faucet at 866-745-4010 or visit our website at www.premierfaucet.com