



# Model 120615

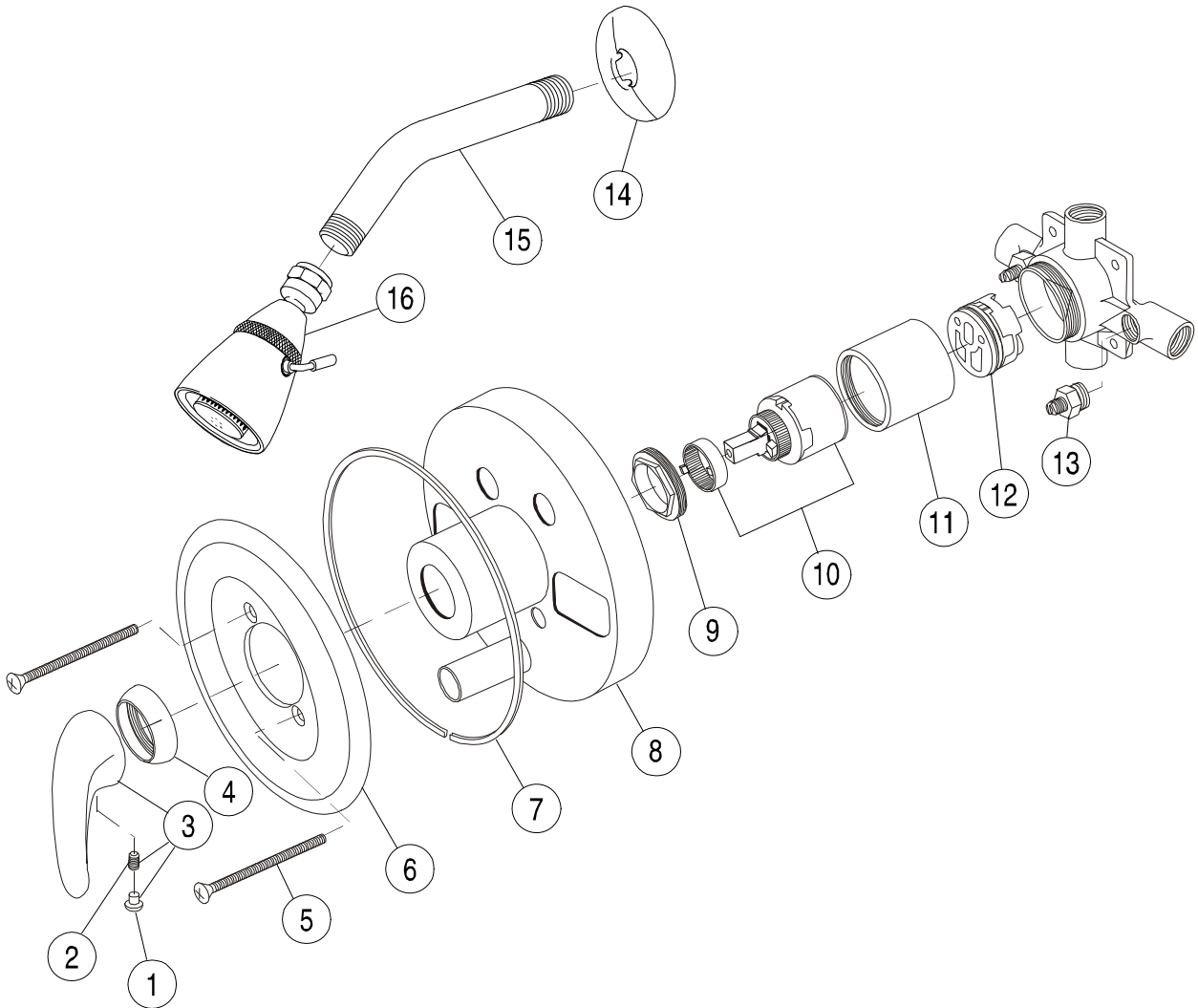
Single Lever Handle Shower Only Set  
Pressure Balancing  
Chrome Plated Finish  
1/2" IPS Connection

# Westport™



Model 120615

**Refer to Premier Faucet Parts List Sheet for part numbers and ordering information.**



For additional information contact Premier Faucet at 866-745-4010 or visit our website at [www.premierfaucet.com](http://www.premierfaucet.com)



# Model 120615

Single Lever Handle Shower Only Set  
Pressure Balancing  
Chrome Plated Finish  
1/2" IPS Connection

# Westport™



Model 120615

*Refer to Premier Faucet Parts Schematic Sheet for parts diagram.*

INDEX	DESCRIPTION	MATERIAL	QTY	PART NO
1	INDEX PLUG	POM	1	994202
2	HANDLE SCREW	STAINLESS STEEL	1	994197
3	HANDLE ASSEMBLY	METAL	1	994169
4	CAP	PLASTIC	1	994341
5	PLATE SCREW	BRASS	2	994442
6	ESCUTCHEON	BRASS	1	994423
7	SLIP GASKET	PLASTIC	1	994546
8	ROUGH-IN PLATE	PLASTIC	1	994581
9	BONNET NUT	BRASS	1	994324
10	CARTRIDGE WITH STOP	CERAMIC	1	133504
11	BARREL SLEEVE	BRASS	1	994376
12	BALANCER ASSEMBLY	PLASTIC	1	133505
13	INTEGRAL STOP	BRASS	2	994555
14	ESCUTCHEON	STAINLESS STEEL	1	ESC1
15	SHOWER ARM	BRASS	1	194013
16	SHOWER HEAD	BRASS	1	82212

For additional information contact Premier Faucet at 866-745-4010 or visit our website at [www.premierfaucet.com](http://www.premierfaucet.com)