



# Model 120650

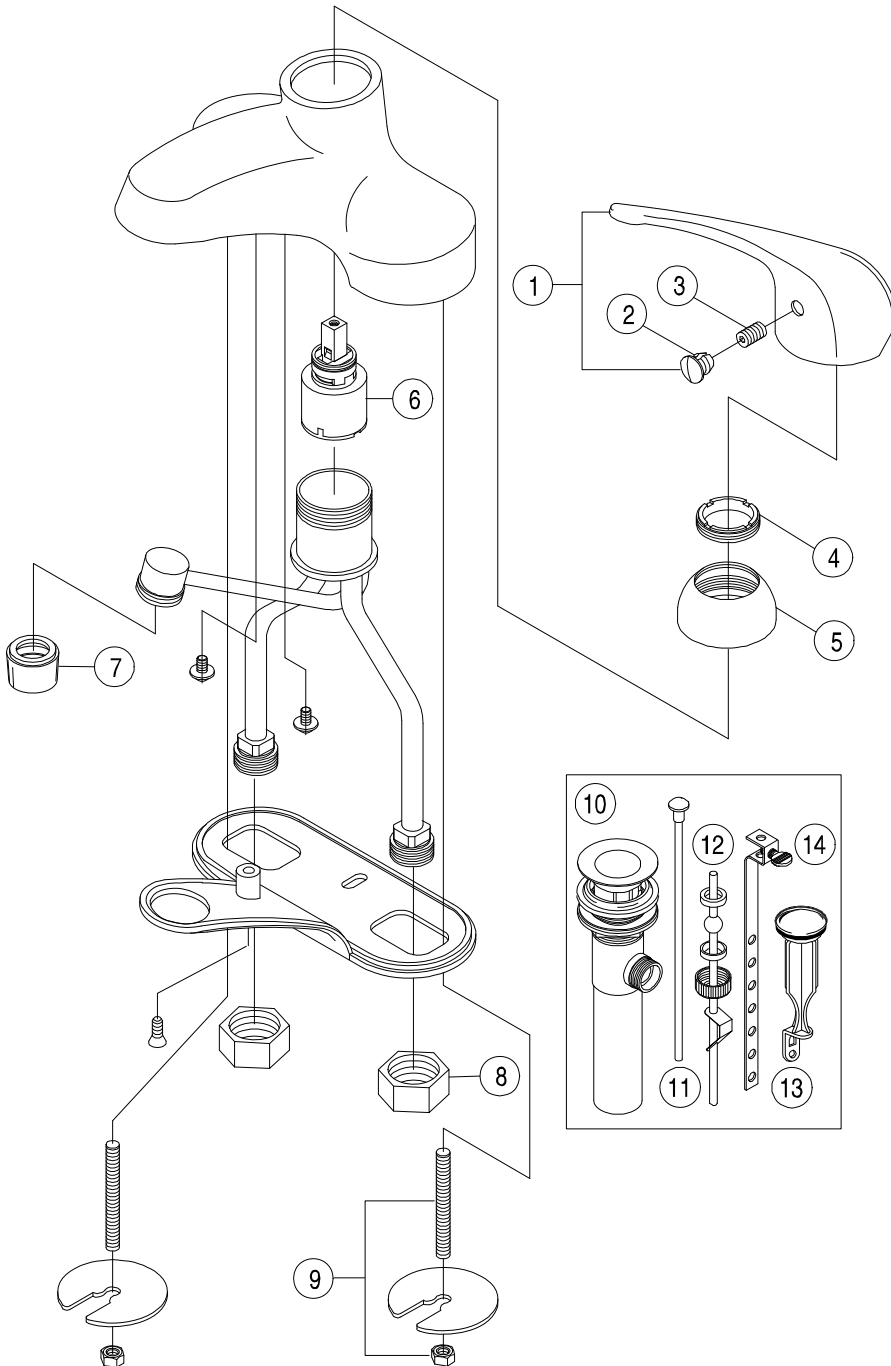
Single Lever Handle Lavatory Faucet  
Chrome Plated Finish  
With Brass Pop-Up  
1/2" IPS Connection

# Bayview™



Model 120650

**Refer to Premier Faucet Parts List Sheet for part numbers and ordering information.**



For additional information contact Premier Faucet at 866-745-4010 or visit our website at [www.premierfaucet.com](http://www.premierfaucet.com)



# Model 120650

Single Lever Handle Lavatory Faucet  
Chrome Plated Finish  
With Brass Pop-Up  
1/2" IPS Connection

# Bayview™



Model 120650

*Refer to Premier Faucet Parts Schematic Sheet for parts diagram.*

INDEX	DESCRIPTION	MATERIAL	QTY	PART NO
1	HANDLE ASSEMBLY	METAL	1	994175
2	INDEX PLUG	PLASTIC	1	994202
3	HANDLE SCREW	STAINLESS STEEL	1	994197
4	TENSION RING	BRASS	1	994635
5	CAP	ZINC	1	994362
6	CARTRIDGE	CERAMIC	1	163000
7	AERATOR	BRASS	1	144211
8	COUPLING NUT	BRASS	2	133838
9	INSTALLATION KIT	STEEL	2	994258
10	POP-UP ASSEMBLY	BRASS	1	124100
11	LIFT ROD	METAL	1	994599
12	BALL ROD ASSY	METAL/PLASTIC	1	133833
13	STOPPER	PLASTIC	1	015084
14	LIFT STRAP	METAL	1	133833